

492 021 Memcom MPS

Installation Guide

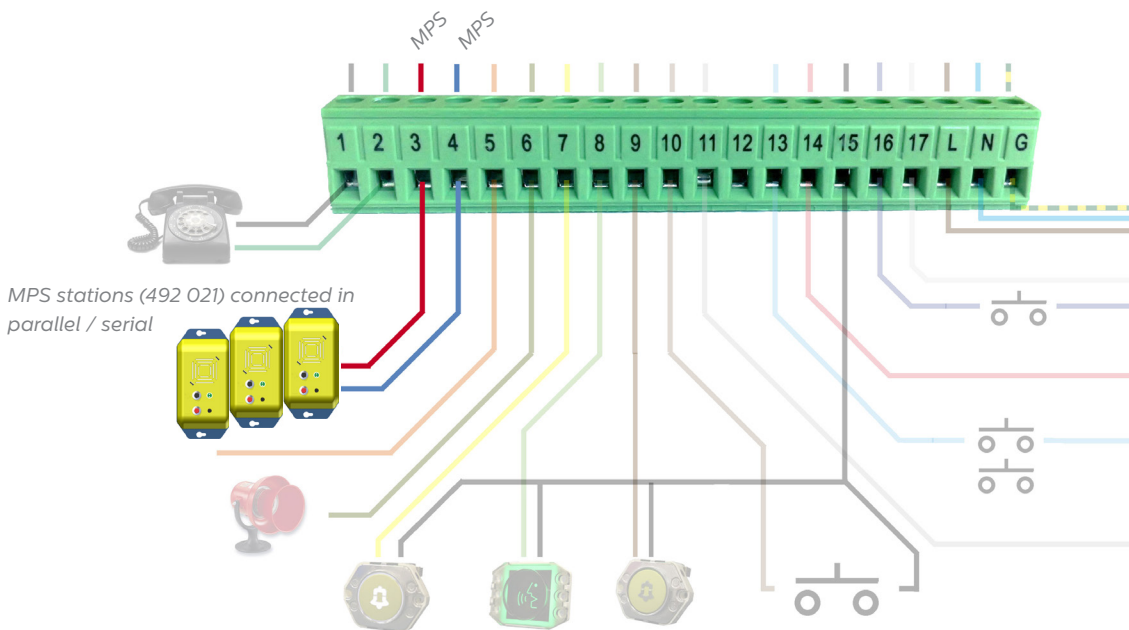
Ref No. 492 856 (ML) Version 1



The Memcom Multi Point Station (MPS) provides external emergency telephone points for the lift engineer in the shaft, pit or machine room. This easy to install unit also allows local communication between different points of the lift installation through an intercom channel, which is a considerable benefit during commissioning and installation of the elevator. The system has a unit status LED which informs the installer if the station is functioning and whether the alarm button has been pressed. The ability to adjust the volume on the station without removing the product casing, saves time and reduces the risk of feedback.

Using a two wire connection, up to 3 MPS units can be wired in parallel or series back to the Memcom and will be powered by the Memcom integral battery. Further additional stations can be added, but will need to be boosted by connecting a 24V DC power supply to each additional station.

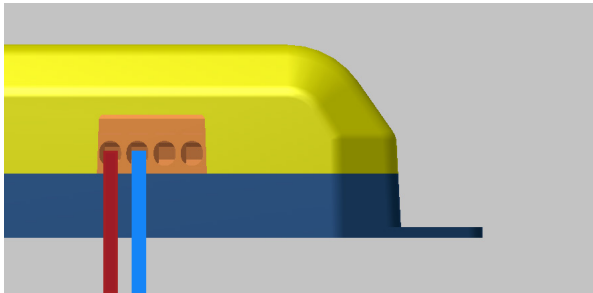
Terminal Connection Block in Memcom



Connections to the MPS unit

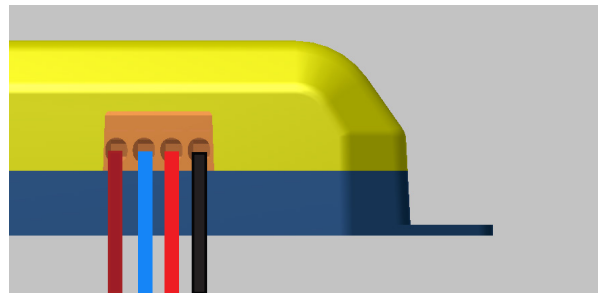
Insert a small flat head screw driver in the clamp section of the screw-less connector to open the clamp, insert the wire in the hole and remove the screwdriver to clamp the wire in place secure the wire.

1, 2, 3 MPS



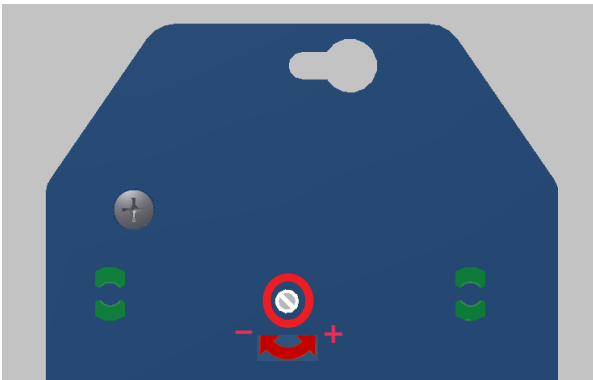
Memcom
Memcom

4, 5, 6, 7, 8 MPS



Memcom
Memcom
24V DC
0V DC

Adjusting the volume



The unit volume can be adjusted using a small flat head screwdriver. Insert the screwdriver in the volume adjuster on the back of the unit. Turn anti-clockwise to increase the volume and clockwise to decrease the volume.

If feedback can be heard, reducing the volume may reduce or remove the feedback.



Unit status LED

The status LED shows when the unit is correctly installed and also when an alarm has been activated from the station, as detailed below:

LED status

- LED not lit- unit is not functional
- RED LED Dimly lit- unit is functional
- RED LED Brightly lit- alarm has been activated

Fixing the unit

The unit can be fixed to the wall by the fixing holes at the top and the bottom of the unit, using the M4.2 self-drilling screws provided. The unit can then be slid on and off of these screws without the need to unscrew.

AVIRE

Memco is a brand of Avire

Avire Ltd

Unit 1, The Switchback
Gardner Road
Maidenhead
Berkshire SL6 7RJ, UK

T: 01628 540 100
F: 01628 621 947
E: sales.uk@avire-global.com
W: www.memco-global.com
W: www.avire-global.com

